

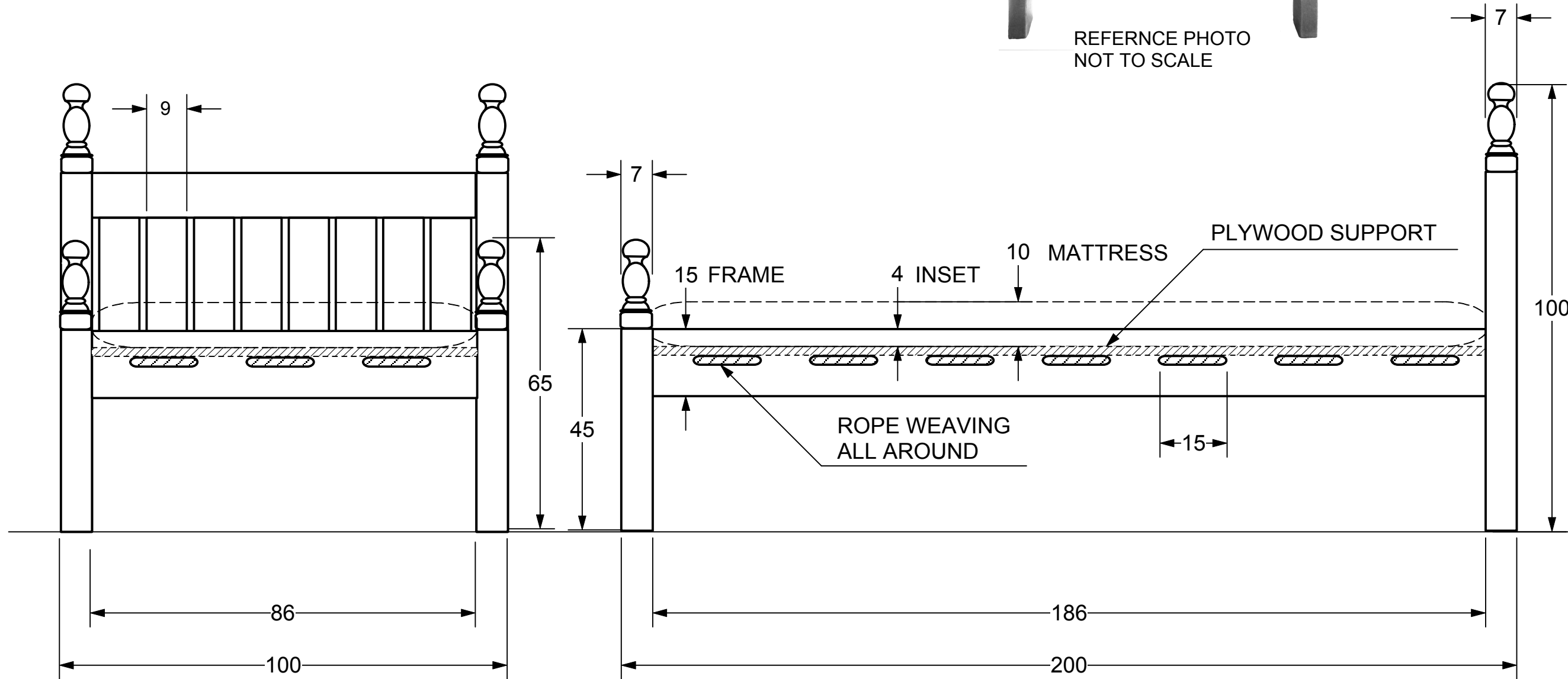
SINGLE BED - ACT 1

- NOTES: - BED IS MADE OF WOOD  
 - APPEARS TO BE WOVEN ROPE MATTRESS SUPPORT  
 - PLYWOOD IS ACTUALLY USED IN CENTRE FOR SUPPORT

- BEDDING: - STRIPED MATTRESS TICKING, STUFFED WITH COTTON  
 - ONE BOTTOM SHEET, ONE HANDMADE QUILT, ONE PILLOW



REFERNCE PHOTO  
NOT TO SCALE



**BED**

DATE: 6 OCTOBER 2015  
 SCALE: 1:10  
 PLATE 15

**THE CRUCIBLE** BY ARTHUR MILLER  
 AMERICAN UNIVERSITY IN CAIRO -- MALAK GABR THEATRE  
 DIRECTOR: FRANK BRADLEY  
 DESIGN: STANCIL CAMPBELL