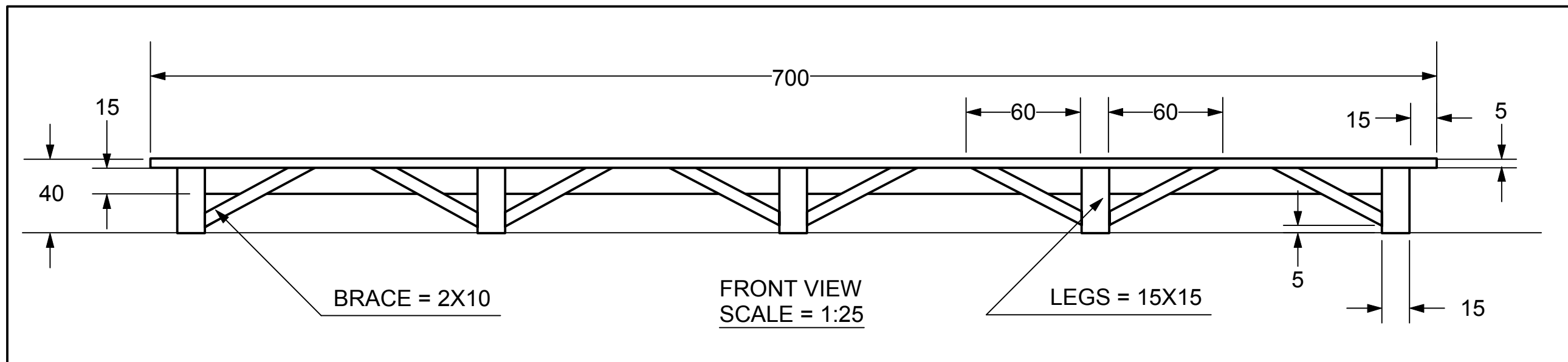
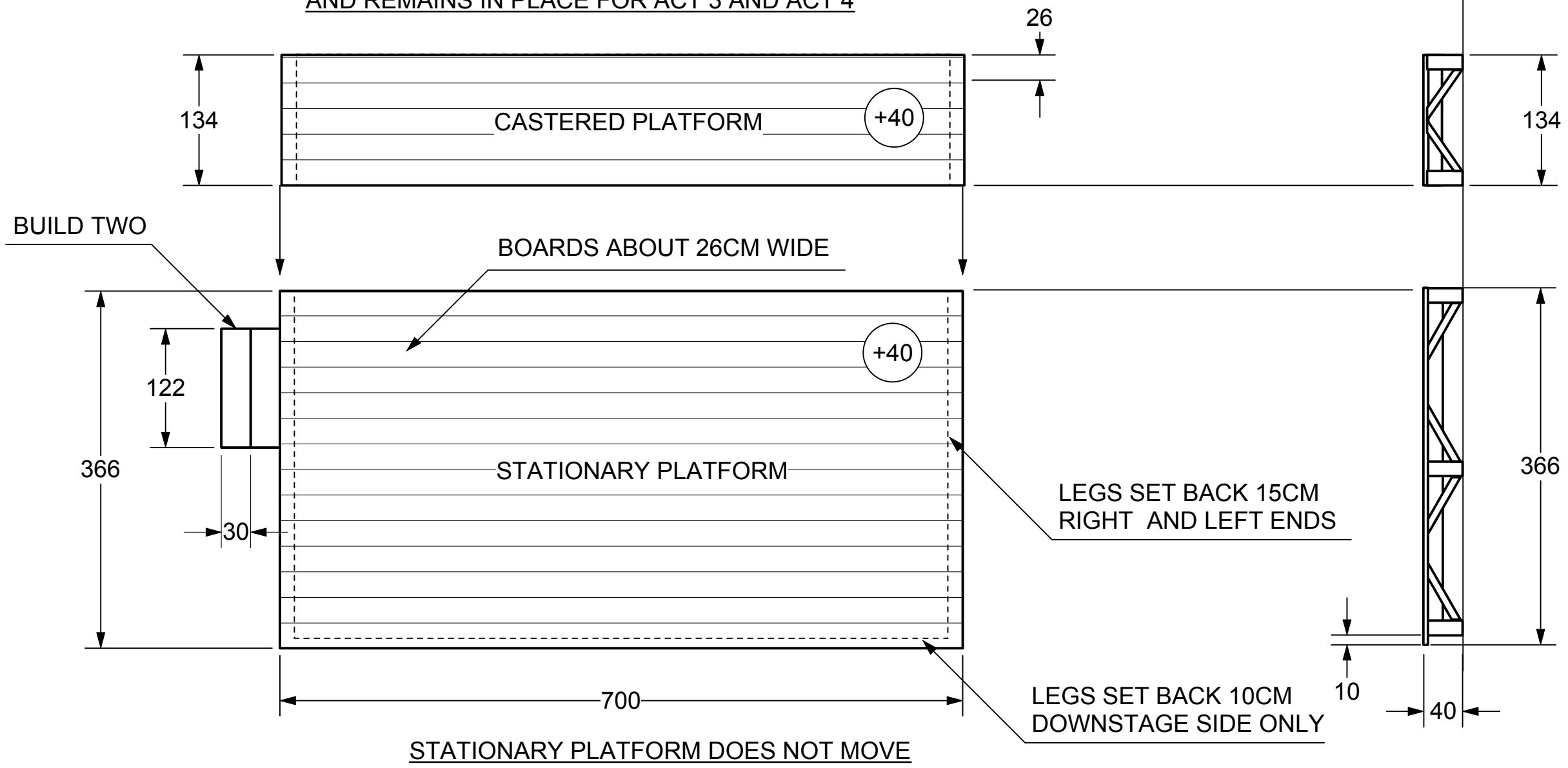


CASTERED PLATFORM ROLLS INTO PLACE FOR ACT 2
AND REMAINS IN PLACE FOR ACT 3 AND ACT 4



LOWER PLATFORMS

DATE: 16 SEPTEMBER 2015
SCALE: 1:50 (EXCEPT AS NOTED)
PLATE 9

THE CRUCIBLE BY ARTHUR MILLER

AMERICAN UNIVERSITY IN CAIRO -- MALAK GABR THEATRE
DIRECTOR: FRANK BRADLEY
DESIGN: STANCIL CAMPBELL