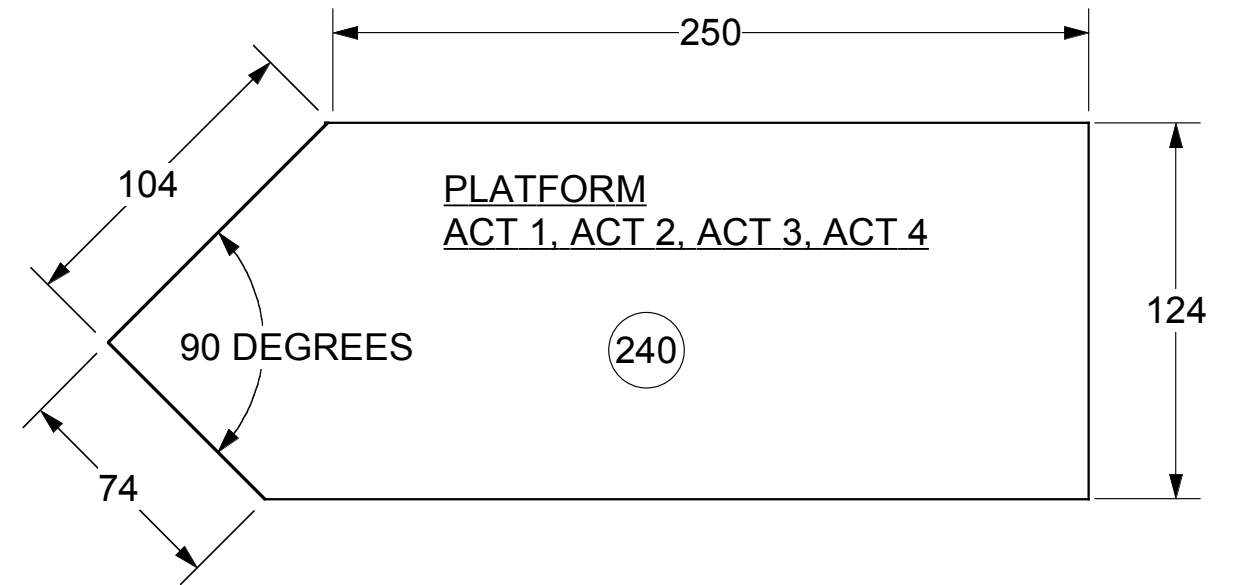
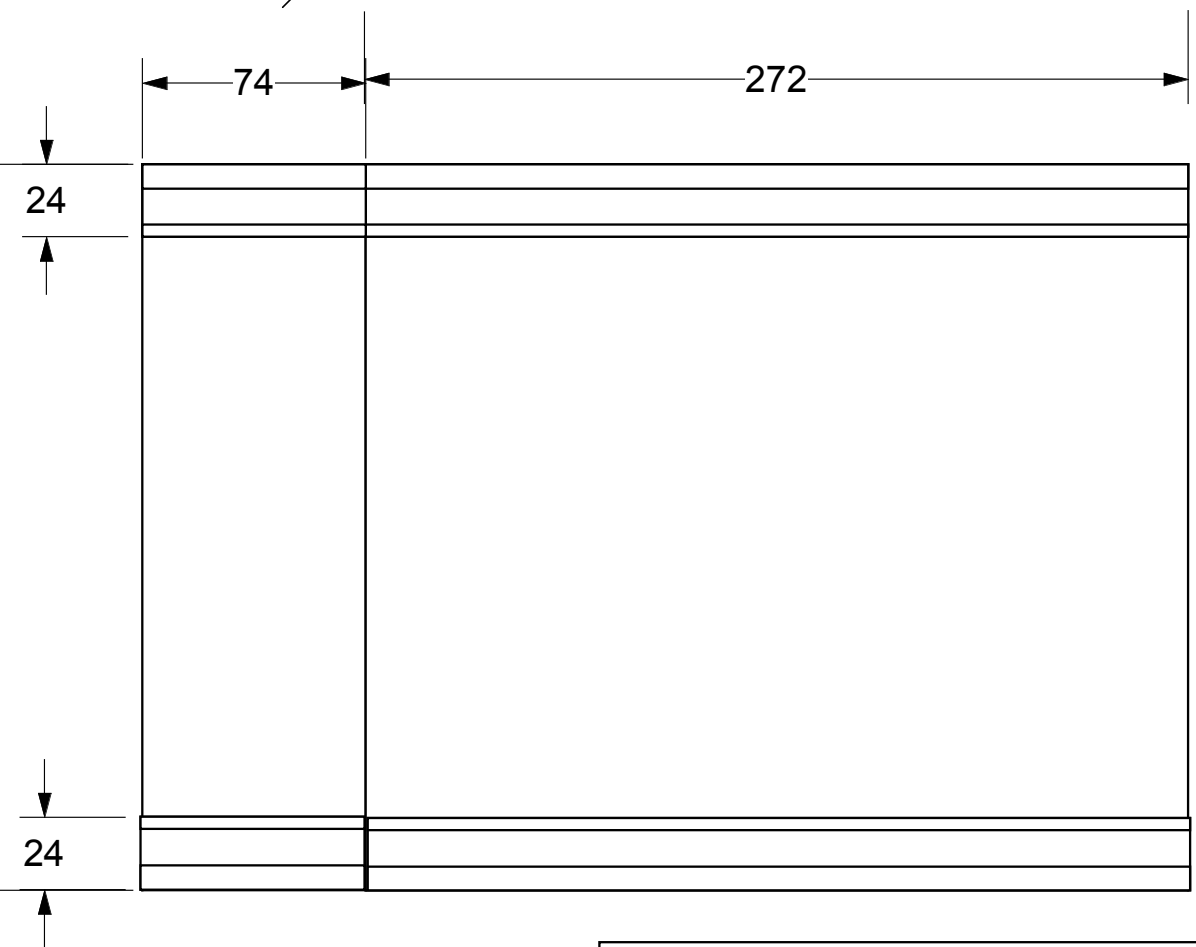
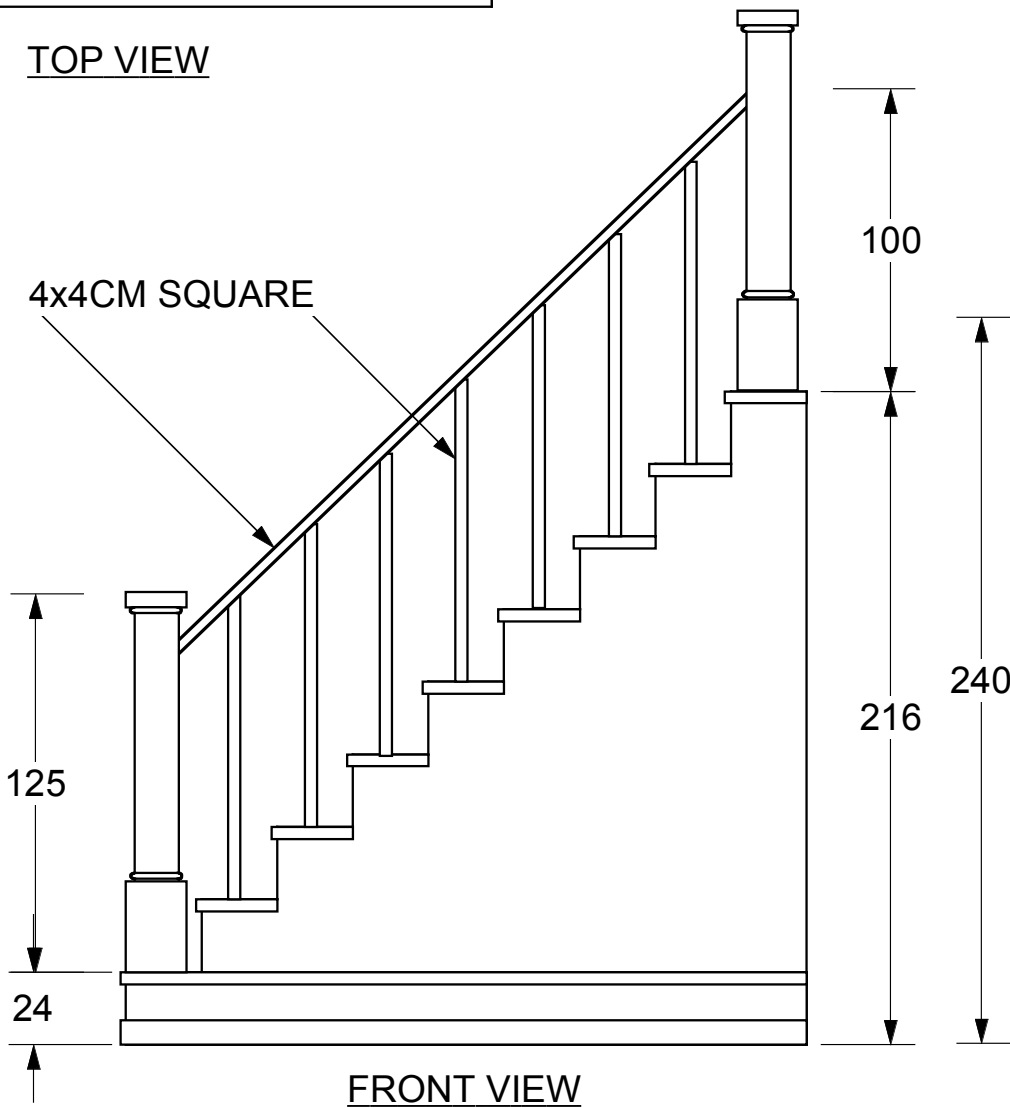


JOINS HERE IN ACT 3



STEP UNIT
ACT 3

TREADS = 25CM
RISES = 24CM



THE THIEF
AMERICAN UNIVERSITY IN CAIRO
DIRECTOR -- MAHMOUD EL LOZY
DESIGNER -- STANCIL CAMPBELL
TECH DIRECTOR -- DAVID WLODARSKI
HALL PLATFORM AND STEP UNIT
JUNE 2009
SCALE: 1:25