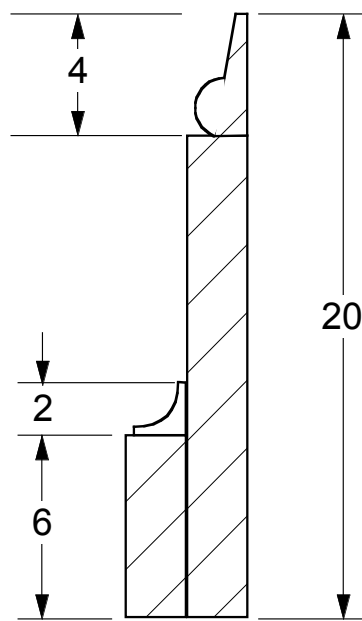
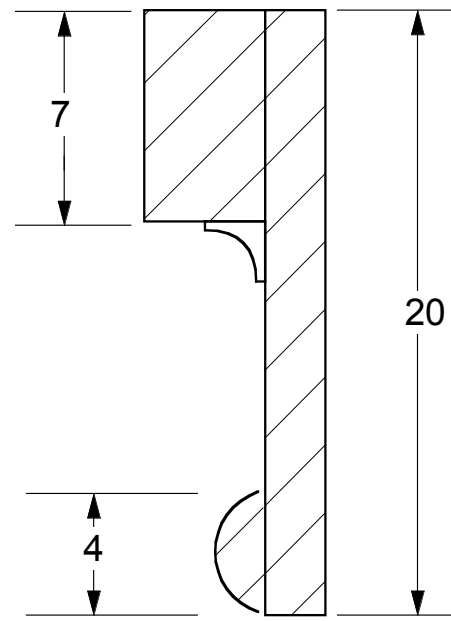


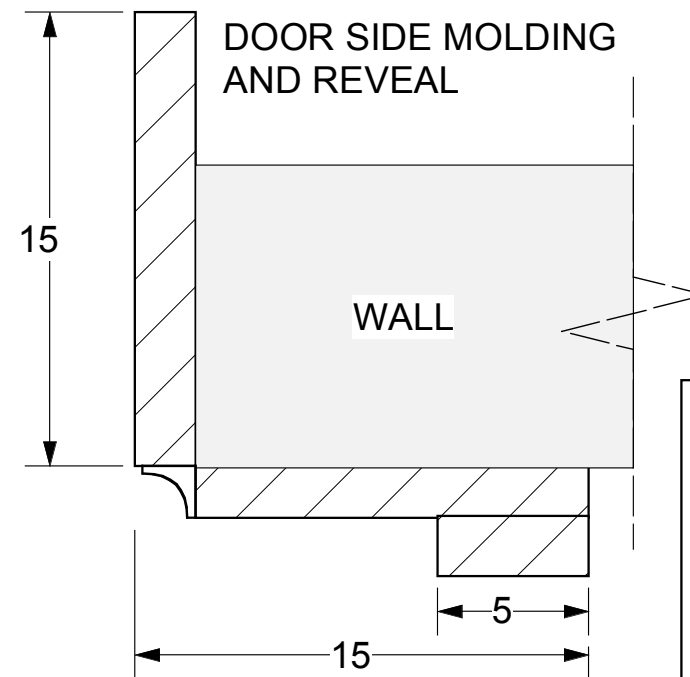
HEADER MOLDING



BASE MOLDING



DOOR TOP MOLDING



DOOR SIDE MOLDING AND REVEAL

WALL

THE THIEF -- ACT 1 & 2  
 AMERICAN UNIVERSITY IN CAIRO  
 DIRECTOR -- MAHMOUD EL LOZY  
 DESIGNER -- STANCIL CAMPBELL  
 TECH DIRECTOR -- DAVID WLODARSKI  
 CENTRAL PLATFORM -- LOWER WALLS  
 JUNE 2009  
 SCALE: 1:25